

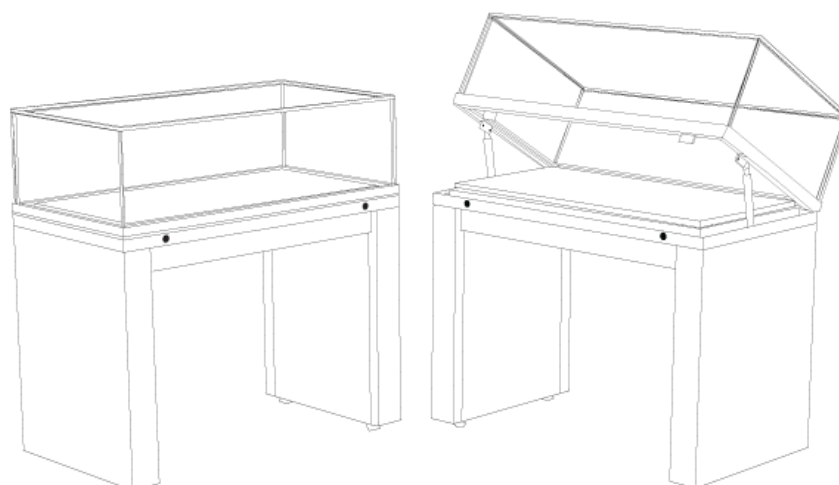
Smart Display Case for Museums

DMu™ Product Feature Matrix



Smart Display Case for Museums

DMu™ Product Feature Matrix



(For illustrative purposes only)

Product Feature Matrix			
Features	Traveller	Business	Executive
SPD switchable glass: single / double glazed, 9-24 mm thickness	•	•	•
Anti-bandit, low reflectance and low-iron glass on request	•	•	•
All joints to glass u/v bonded	•	•	•
Hinged glass hood with gas springs	•	•	•
32mm aluminium frame, RAL at choice	•	•	•
Internal base board 16mm thick ZF-MDF with ventilation caps	•	•	•
Abloy high security locks x 2	•	•	•
Adjustable feet	•	•	•
Gel tray facility for artsorb cartridge x 1	•	•	•
Diffuse proximity sensors located in plinth	•	•	•
Domoticware DSG100 4-channel smart glass controller	•	•	•
All transformers and cables included	•	•	•
Alarm system		•	•
Temperature sensor linked to DSG100 controller		•	•
Humidity sensor linked to DSG100 controller		•	•
Light intensity sensor linked to DSG100 controller			•
Wireless management reports to mobile device or computer			•
Multi-Language Visitor Information over Bluetooth			•

Product Dimensions (mm)				
	Small	Medium	Large	Giant
Width	600	900	1200	1500
Depth	600	600	600	600
Hood Height	300	300	300	300
Display Case Height	900	900	900	900